

TECH SUPPORT

If you have any questions regarding the operation or assembly of your spreader please call us at 800-294-0671 or 574-848-7491 Monday - Friday 9:00am - 4:00pm Eastern.

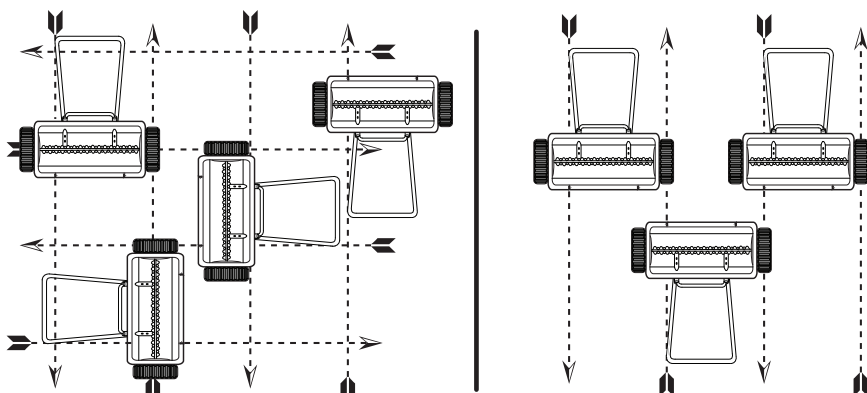
Start by ensuring that you spreader calibration is correct.

Make sure the holes in the bottom of the hopper are fully open when the Rate Control handle is on #30. If not, please adjust control cable to allow for a full open hopper position at #30.

Look for EarthWay or Ev-N-SPRED® models on the fertilizer for settings. If there are none listed, please use the comparison chart below as a guide to estimate your spreader setting.

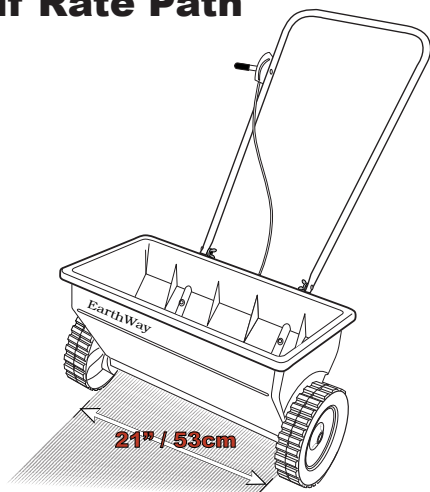
These settings are approximate and intended as a guide only. Variations in physical characteristics of material applied, walking speed and surface roughness may require slightly different spreader settings.

Due to the above conditions, the manufacturer makes no warranty as to the uniformity of coverage actually obtained from settings listed.



Half Rate Path

Full Rate Path



ESTABLISHING A SETTING RATE

Step 1: Use **Chart 1** to estimate the number of LBS/1,000 square feet of coverage (Example: 20LB bag with 10,000 square foot coverage = 2.0LBS/1,000 square feet)

Step 2: Find the closest LBS/1,000 square feet in **Chart 2** that you estimated using **Chart 1** (Example: 2.0LBS/1,000 square feet = Spreader Setting of 13)

Chart 1

		BAG SQ FT COVERAGE		
		5,000	10,000	15,000
BAG WEIGHT	5 LBS.	1.0	0.5	0.3
	10 LBS.	2.0	1.0	0.7
	15 LBS.	3.0	1.5	1.0
	18 LBS.	3.6	1.8	1.2
	20 LBS.	4.0	2.0	1.3
	25 LBS.	5.0	2.5	1.7
	30 LBS.	6.0	3.0	2.0
	35 LBS.	7.0	3.5	2.3
	40 LBS.	8.0	4.0	2.7
	50 LBS.	10.0	5.0	3.3

Chart 2

LBS/1,000 SQ FT	SPREADER SETTING
1.0 LBS.	11
2.0 LBS.	13
3.0 LBS.	14
4.0 LBS.	16
5.0 LBS.	17
6.0 LBS.	18
7.0 LBS.	19
8.0 LBS.	20
9.0 LBS.	22
10.0 LBS.	23

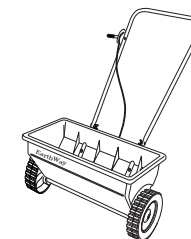
METRIC RATE SETTING

DETERMINING A SETTING RATE

Use chart below to determine the **Setting Rate** based on Grams/Square Meter of coverage as directed on the bag.

Setting Rates

GRAMS PER SQUARE METER	Spreader Setting
5 grams	11
10 grams	13
15 grams	14
20 grams	16
25 grams	17
30 grams	18
35 grams	19
40 grams	20
45 grams	22
50 grams	23



Grass Seed

LBS/1,000 SQ FT	SPREADER SETTING
2 LBS.	13
3 LBS.	14
4 LBS.	16
5 LBS.	17