



*Thank you for selecting EarthWay for your seeder needs. Our production team in Northern Indiana takes pride in building this seeder. Our customer support team is standing ready to ensure your success. Please contact us at [www.EarthWay.com](http://www.EarthWay.com) to see our full line of commercial, lawn & garden tools.*

Prior to assembly, you will need the following tools:

Adjustable wrench or ½" box wrench



## HELPFUL HINTS

- Read the directions before assembly.
- This seeder comes partially assembled, requiring you to install the WHEELS, HANDLE ASSEMBLY, and ROW MAKER.
- Assembly time is approximately 15 minutes with basic hand tools.
- Clean and dry your seeder thoroughly after each use.

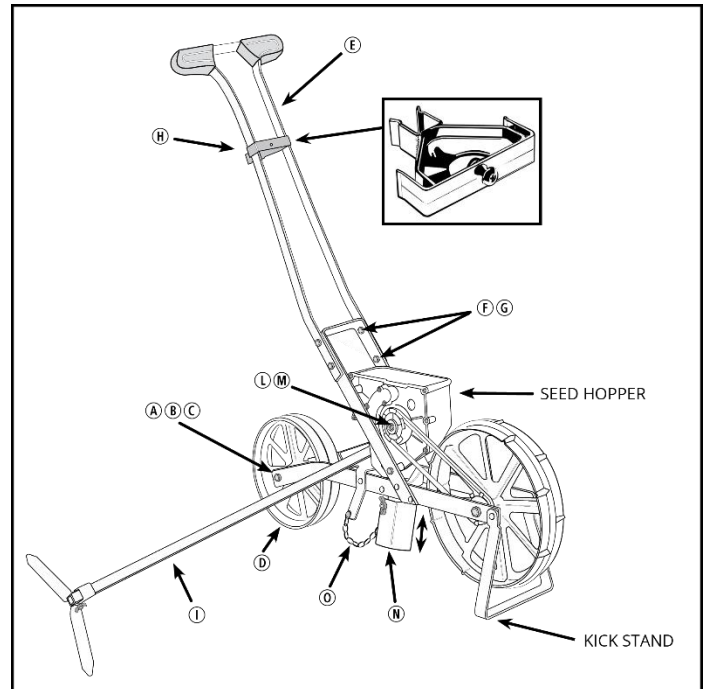
## ASSEMBLY STEPS

### REAR WHEEL

- Step 1:** Lower kick stand at front to hold planter upright.
- Step 2:** Remove nut, bolt, and AXLE (A, B & C) from frame.
- Step 3:** Insert AXLE through REAR WHEEL (D), place between frame, and line up with holes in end of frame.
- Step 4:** Reinstall bolt and nut (A & B), and tighten.

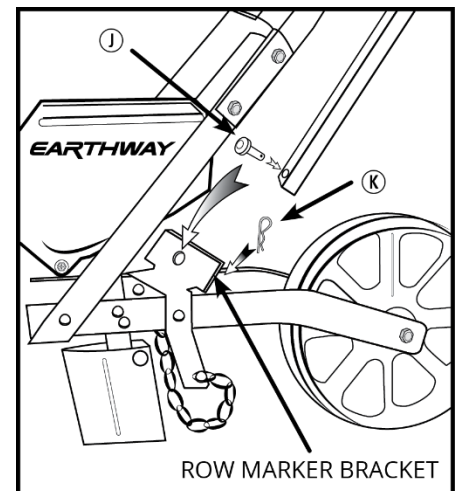
### HANDLE

- Step 1:** Remove nuts and bolts from plastic bag. (These are special lock nuts. A wrench will be required to remove and install them).
- Step 2:** Bolt HANDLE (E) in place using bolt & nut (F & G) as shown in Figure 1, Page 3 for illustration.
- Step 3:** Install the Row Marker Retainer Clip (H) from the front to the back and press into place in the holes on the handle.



### ROW MARKER

- Step 1:** Place ROW MARKER SHAFT (I) in front of row marker bracket and line up holes.
- Step 2:** Insert clevis pin (J) through ROW MARKER SHAFT (I) and row marker bracket and insert hair pin clip (K) through clevis pin. When not in use, secure the ROW MARKER SHAFT to the Handle Bracket w/Clip (H) to hold in place.
- Step 3:** A cord may be tied to the Handle Bracket w/Clip(H) and ROW MARKER SHAFT (I) for lowering and raising the ROW MARKER.



## OPERATING INSTRUCTIONS

To install the desired seed plate, hold the seed plate at an angle with the bottom against the straight wall in the seed hopper. Line up the slots against the inside of the seed hopper and rotate it approximately 1/2" in the "ON" direction as indicated by the arrow on top of the hopper until the cam action locks the seed plate in place on the hub. Do not force. OFF or ON directions are also indicated on the seed plates.

**Step 1:** Prepare seedbed of garden by tilling soil to a depth of 6 or more inches.

**Step 2:** To remove a seed plate, hold plate stationary, while rotating PULLEY (L) in direction of "OFF" on plate. Push seed plate off white hub by placing your finger through the hole just above the PULLEY.

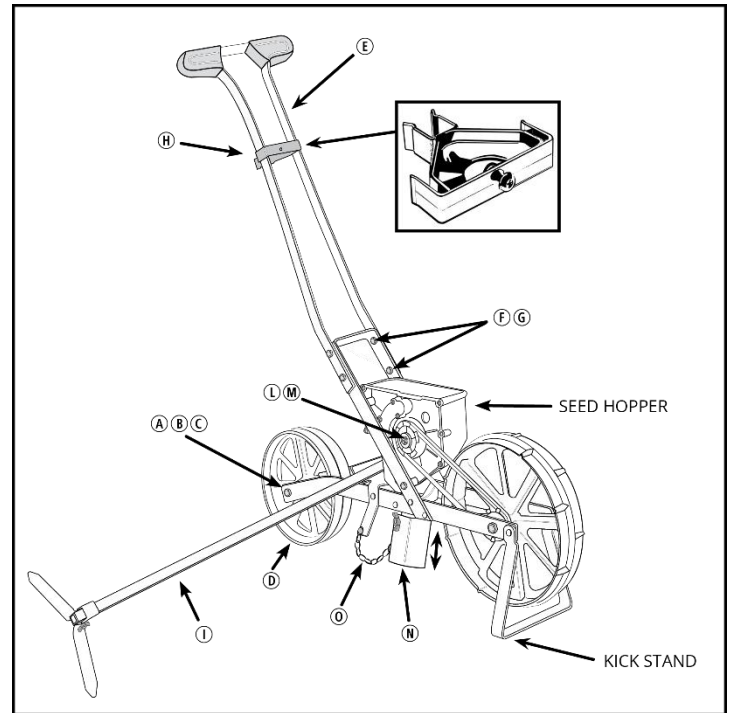
**Step 3:** Utilize the SEED PLATE GUIDE to identify the closest spacing and seed size to your chosen seed. If more distance is desired between seeds, cover every other seed plate hole as required with tape or fill with bees wax.

**Step 4:** Pour seeds in the seed hopper. CAUTION: Do not fill the hopper above the center of the seed plate. NOTE: All the seed, especially small seed, will not be picked up by the plates leaving a small amount in the bottom of the hopper. Tilt the seeder to the right as you move down the row to help remove most of the seed if required.

**Step 5:** Next set the adjustable planting depth with the wedge-shaped GROUND OPENER (N) located directly under the hopper. NOTE: There are graduations in both inches and millimeters on the front angles of the SEED CHUTE. Move GROUND OPENER until top edge is in line with desired planting depth. Retighten wing nut after adjustment is made. Check the depth by moving the seeder forward a few inches in soft soil, readjust if necessary.

**Step 6:** Mark out the first row with string and stakes. Lower the ROW MARKER SHAFT and adjust the ROW MARKER to the proper width for the next row. Lift the kick stand over the FRONT WHEEL. Be sure the COVER CHAIN (O) follows behind the GROUND OPENER. You are now ready to plant.

**Step 7:** To empty any remaining seeds, lower the kick stand and tip the seeder forward until all seeds are removed. NOTE: When changing seed plates, be sure the seed hopper is completely empty.



**NOTICE:** Keep your seed hopper clean and free from dust, sand, dirt and seed treating materials.

## MAINTENANCE

You will find one seed plate in place in the hopper, the rest in the box.

1. Any accumulation of dust, dirt, or residue from chemically treated seeds in the seed hopper should be wiped out with a cloth after each use. A buildup of dirt may cause the seed plate to stick and seeds to pop out.
2. Under certain conditions static electricity may build up on the seed hopper and interfere with planting fine seeds. If this situation should occur, wash the seed hopper and the seed plate with a mild dish washing detergent, and allow to dry.

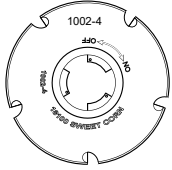
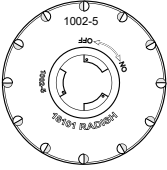
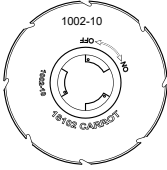
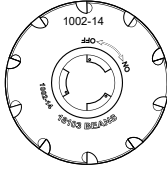
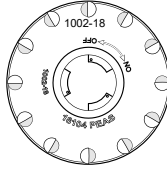
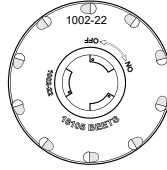
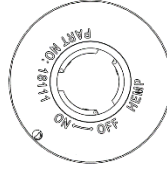
## SEED PLATE GUIDE

This is a list of all the seed plates currently produced for the 1001-B Precision Garden Seeder.

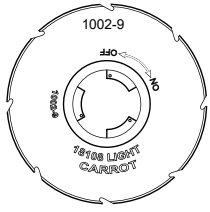
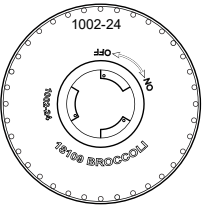
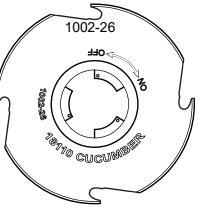
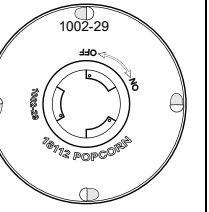
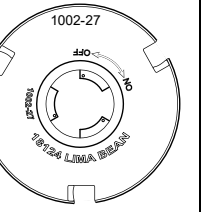
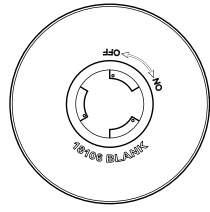
### Information:

The Precision Garden Seeder chassis travels 36"/91.4cm for every revolution of the seed plate. Custom seed spacings can be achieved by utilizing the blank seed plate (60010 kit) to fit other planting spacing and seed sizes. Smaller seeds will stick together due to humid conditions. Dip the plate in soapy water and let dry or utilize an 3rd party seed powder (Seed SLIK - slipplate.com) to prevent your seeds from sticking together.

## 60009 STANDARD SEED PLATE KIT

						
<b>18100 Sweet Corn</b>	<b>18101 Radish</b>	<b>18102 Carrot</b>	<b>18103 Beans</b>	<b>18104 Peas</b>	<b>18105 Beet</b>	<b>18111 Hemp</b>
7.2" Spacing/18.3cm	3" Spacing/7.6cm	4.5" Spacing/11.4cm	3.6" Spacing/9.1cm	3" Spacing/7.6cm	3.6" Spacing/9.1cm	36" Spacing/91.4 cm
Will plant most varieties of sweet corn as well as some other larger seed types 0.375"/9.5mm.	Will plant some leek, asparagus, spinach and other fine seeds 0.175"/4.4mm.	Will plant some lettuce, turnip, endive, cabbage, onions, tomatoes, and other fine seeds 0.125"/3.2mm.	Will plant some small peas 0.450"/11.4mm.	Will plant some Jumbo and Early June Peas 0.562"/14.3mm.	Will plant some Okra, Swiss Chard, and other medium seeds 0.250"/6.3mm.	Will plant various types of hemp seed 0.170"/4.3mm.

## 60010 OPTIONAL SEED PLATE KIT

					
<b>18108 Light Carrot</b>	<b>18109 Broccoli</b>	<b>18110 Cucumber</b>	<b>18112 Popcorn</b>	<b>18124 Lima Bean</b>	<b>18106 Blank Plate</b>
4.5" Spacing/11.4cm	1" Spacing/2.5cm	9" Spacing/22.9cm	9" Spacing/22.9cm	12" Spacing/30.5cm	
Will plant light lettuce, turnip, rutabaga, light cabbage, mustard, kale, and other fine seeds 0.150"/3.8mm.	Will plant mustard, cabbage, cauliflower, turnip, rutabaga, and other fine seeds 0.100"/2.5mm.	Will plant some pumpkin, gourds, squash, and other flat seeds 0.312"/8mm.	Will plant medium sized seeds of a size less than 0.250"/6.3mm.	Will plant peanuts and other large seeds 0.625"/15.9mm.	The blank seed plate allows you to make a custom seed plate with spacing and seed size that you determine.

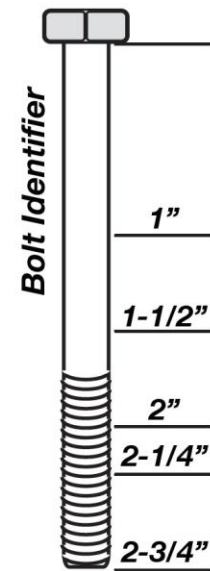
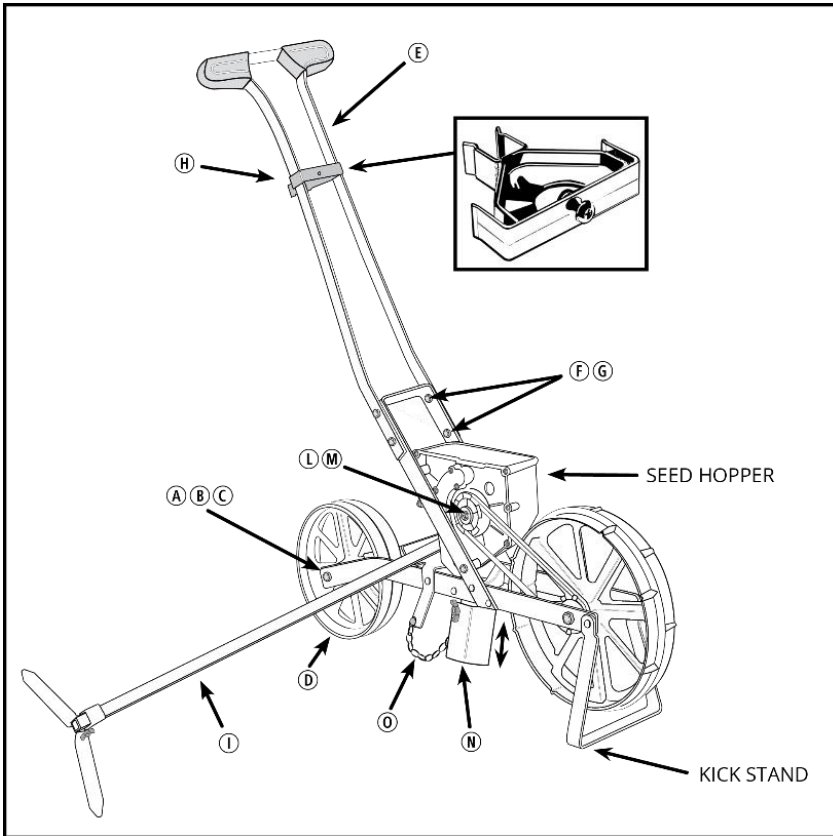
# HOW TO ORDER SPARE PARTS

Contact **ProParts Direct**

**Phone:** (800)305-9255

**Email:** [parts@propartsdirect.net](mailto:parts@propartsdirect.net)

**Website:** <https://www.propartsdirect.net/>



KEY	PART #	DESCRIPTION	KEY	PART #	DESCRIPTION
I	60012	ROW MARKER ASSEMBLY		23500	FRONT OR REAR AXLE SHAFT (1001-B)
E	60011	HANDLE ASS'Y (1001-B)		12102	FRONT WHEEL 1001-B
	60013	FRAME ASSEMBLY 1001-B	N	48301	SEED CHUTE (1001-B)
	19109	GARDEN SEEDER SQ BELT	N	60015	GROUND OPENER ASSEMBLY
O	70104	#6 SINGLE JACK CHAIN		60017	SEED HOPPER ASSEMBLY 1001-B
A	12101	REAR WHEEL (1001-B)		38009	HARDWARE PKG SEED PLTS 1001-B
B	31102	FRONT OR REAR AXLE BOLT 5/16-18 X 4 1/4" HHCS ZINC		60009	<b>OPTIONAL</b> STD SEED PLATE SET (see above)
C	32102	FRONT OR REAR AXLE NUT 5/16-18 HEX NUT ZINC		60010	<b>OPTIONAL</b> SEED PLATE SET (see above)

See local hardware store for nuts and bolts

# 1600 Side-Dress Fertilizer Attachment

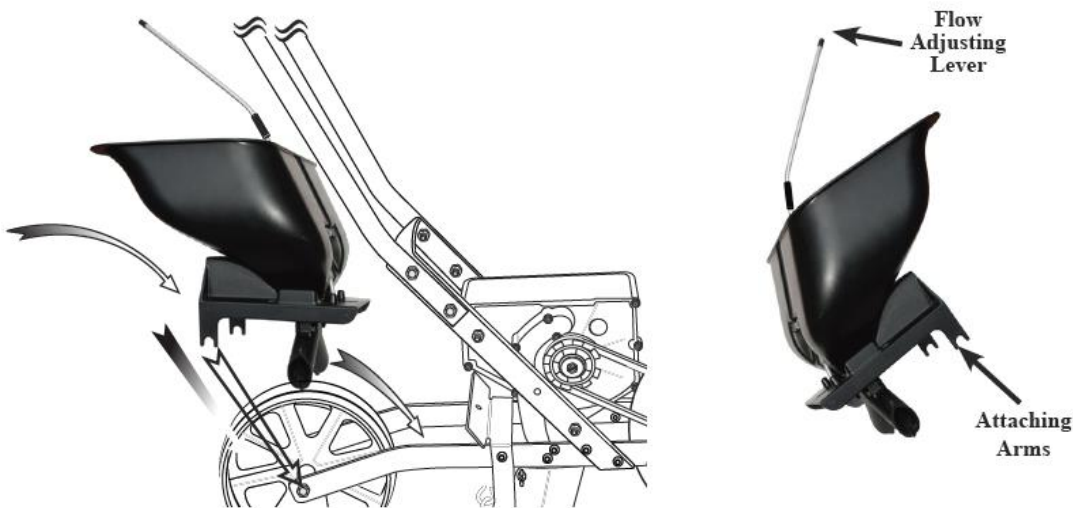
Optional Accessory: Can be used with row marker in place.

**ATTACHING:**

Slide the 1600 behind the handle and in front of the rear wheel, between the frame and lock the Attaching Arms over the rear wheel mounting bolt & nut.

**OPERATING INSTRUCTIONS:**

Calibrated slide plate allows precise flow rates of all granulated fertilizers. Fertilizer can be applied on both sides of the planting furrow. Four position positive action On/Off handle helps eliminate waste. Made from durable weather resistant materials for years of dependable use.



1600 Side-Dress Fertilizer Attachment Parts List					
PART #	DESCRIPTION	QTY	PART #	DESCRIPTION	QTY
31133	#8 X 3/4 PHPS TYPE A (BLACK)	2	60046	HOPPER ASSEMBLY 1600	1
31138	#8 X 3/8" PMT #8 HD COARSE BLACK	2	36233	1/4-20 X 1/2" PHPS S.S.	4
31146	#6 X 1/2" TYPE "A" PHPS BLACK	2	36308	1/4-20 LOCK NUT W/EXT LW SS	4
41215	CONTROL ROD (1600)	1	60033	HOPPER SUPPORT (1600)	1
41216	CONTROL ROD EXTENSION (1600)	1	70142	NUT PROTECTOR .234 ID. X .375 IL.	1
12123	CONTROL ROD CONNECTOR (1600)	1			

## **CUSTOMER SERVICE**

---

[SUPPORT@EARTHWAY.COM](mailto:SUPPORT@EARTHWAY.COM) | 1009 Maple Street, Bristol, IN 46507

## **ONE YEAR WARRANTY**

---

EarthWay Products, Inc. warrants this product free of defects in original workmanship and materials for a period of one year to the end user with the original purchase receipt. If a manufacturing non-conformance is found, EarthWay Products, Inc. at its discretion will repair or replace the part(s)/product at no charge provided the failure is not the result of incorrect installation, mishandling, misuse, tampering, or normal wear and tear as determined by EarthWay.

EarthWay at its discretion may require that the part(s) or product be returned along with the original purchase receipt for examination and compliance with the terms of this warranty. Do not return any product without first receiving authorization from EarthWay Products, Inc.

To seek remedy under this warranty, contact EarthWay Products, Inc. at [support@earthway.com](mailto:support@earthway.com) or write to EarthWay Products, Inc. 1009 Maple Street, Bristol, IN 46507 and describe the nature of the manufacturing defect. **SPECIFIC LIMITATIONS:** This warranty covers only the part(s) or product; any labor charges associated with repair or replacement of non-conformances are specifically excluded. Due to the corrosive nature of most fertilizers and ice melt products, EarthWay Products, Inc. makes no warranty against and specifically excludes part(s) or product degradation or failure due to corrosion or its effects.