

MODEL # 2600A-PLUS

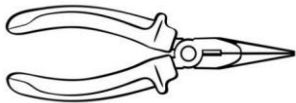
ASSEMBLY INSTRUCTIONS



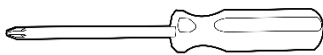
 Visit our EarthWay website to see the assembly video

Prior to assembly, you will need:

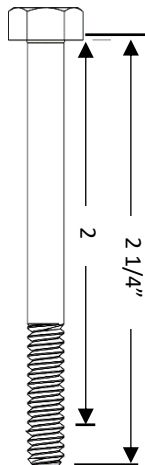
Needle nose pliers



#2 Phillips screwdriver



Two 7/16" adjustable or box wrenches



SPREADER RATE SETTINGS

LBS PER 1000 SQUARE FEET	GRASS SEED	FERTILIZER SGN 240 (3/32")	SAND SGN 150 (1/16")
1 LB		9	7
2 LB	14	13	10
3 LB	16	16	13
4 LB	18	20	14
5 LB	20	22	16
8 LB		28	22

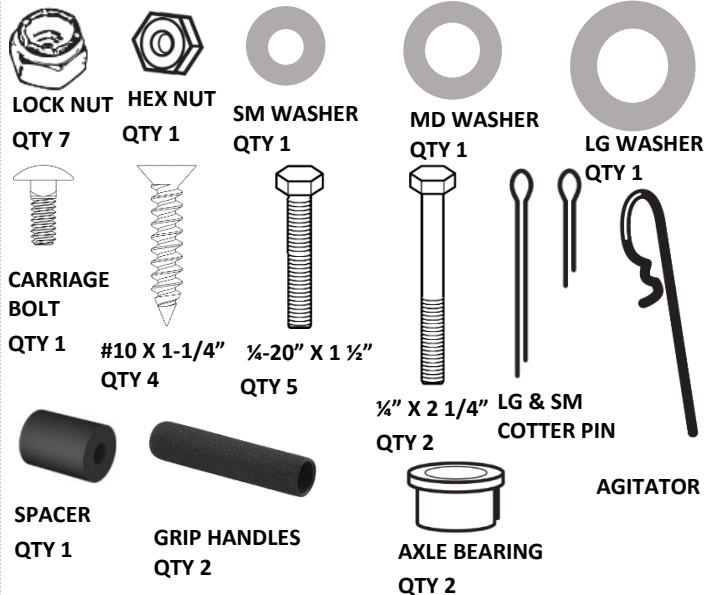
SIDE SPREAD CONTROL

SIDESPREAD CONTROL™

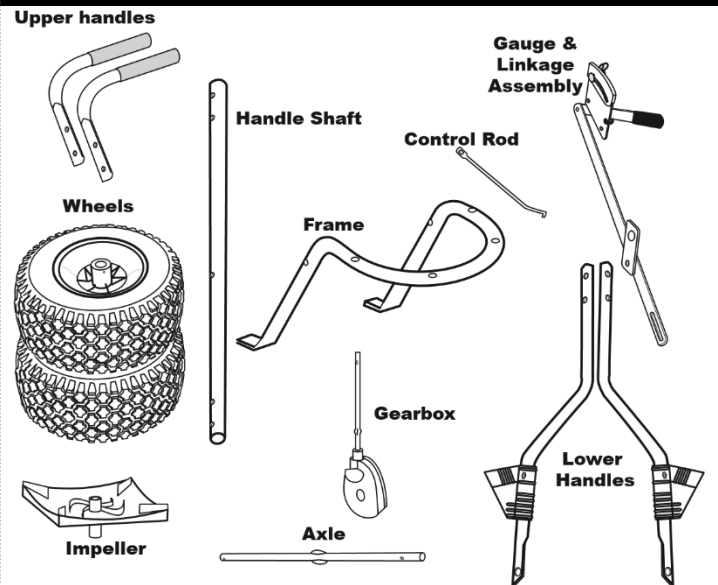
Patent U.S. 10,993,368

Your EarthWay spreader includes a patented feature to prevent fertilizer from being spread on the left side. Unlike competitor designs that waste 7x the fertilizer, side spread control keeps unneeded fertilizer off sidewalks, driveways, and parking lots. Read **OPERATING INSTRUCTIONS** (Page 5) to activate this feature.

ASSEMBLY HARDWARE



SPREADER COMPONENTS



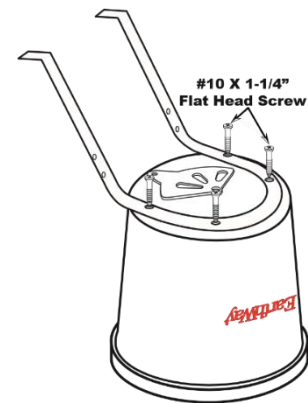
HELPFUL HINTS

- ☑ Read the directions before assembly.
- ☑ If your spreader does not spread evenly, be sure “FRONT” on the GEARBOX points to the front of the spreader. **The impeller must turn clockwise when pushing forward.** Reversing the GEARBOX during assembly will cause issues.
- ☑ Your spreader is calibrated for three miles per hour, which is a brisk walking speed. Slower or faster speeds will change the spread pattern. Wet fertilizer will also change the spread pattern and flow rate. **Do not use powdered materials as it will damage the gearbox.**
- ☑ Gears are permanently lubricated at the factory. Do NOT open the GEARBOX or dirt may enter.

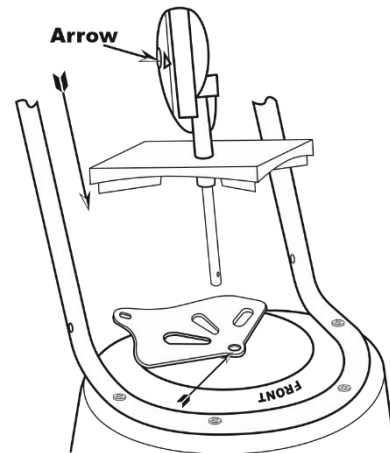
SPREADER ASSEMBLY INSTRUCTIONS

Step 1: Remove all components and hardware items from the box. Place the spreader hopper upside down, facing **away** from yourself.

Step 2: Install the **frame** using (4) #10 X 1-1/4” Flat Head Phillips screws. **TIGHTEN THESE NOW**



Step 3: Install the **gearbox** by inserting the **pinion shaft** into the hole in the center of hopper bottom. The arrow on the gearbox must point to **FRONT** of the hopper. Follow label instructions on hopper.



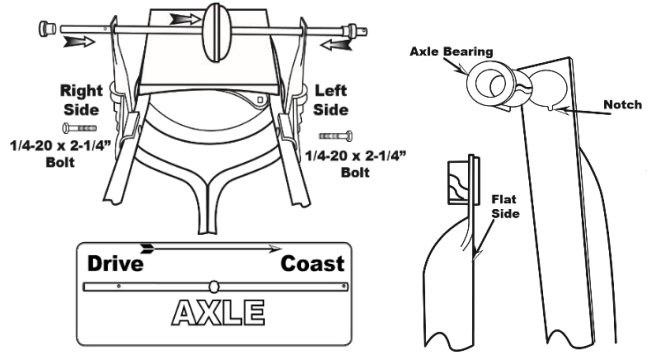
Step 4: Install the **lower handles** (left and right) onto the **frame** and secure with (2) ¼-20 x 2¼” bolts through the hole in the frame braces and through the hole in the frame. Secure with (2) ¼”-20 **nylon lock nuts** on the ends.

REMOVE AGITATOR WHEN USING ROCK SALT TO PREVENT GEARBOX DAMAGE.

Step 5: Slide the **axle** (coast wheel side first) through the right side **lower handle** and into the **gearbox** (with the arrow facing the FRONT). You will need to rotate the axle to engage with the gearbox, then through the left side lower handle.

Next, install the **axle bearings** over the axle and into both **lower handles** as shown to the right.

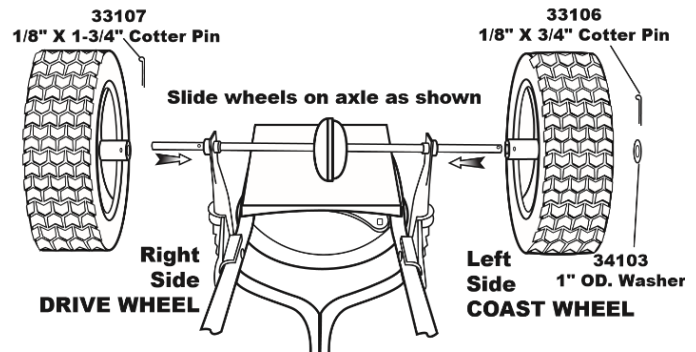
NOTE: You need to align the tab on the **bearings** and the notches in the **lower handles**. (See right.)



NOW GO BACK AND TIGHTEN ALL NUTS AND BOLTS STARTING WITH FIRST STEP. DO NOT OVER TIGHTEN.

Step 6: Install the **drive wheel** onto the axle and align it with the cotter pin hole nearest to the **lower handle** (as shown). Insert the **1 3/4 inch** cotter pin through the wheel and axle. Bend with pliers to prevent pin from falling out.

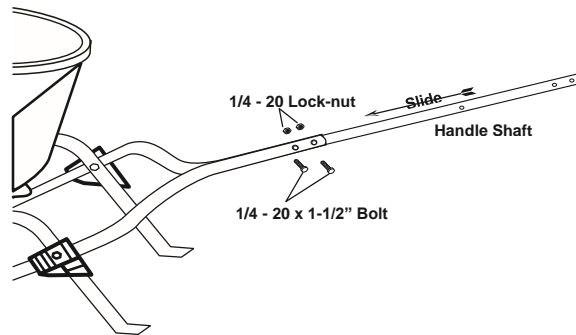
Step 7: Install the **coast wheel** onto the axle fully, then add the **1 inch large flat washer**. Insert the **3/4 inch** cotter pin through the axle (not through the wheel). Bend with pliers to prevent pin from falling out.



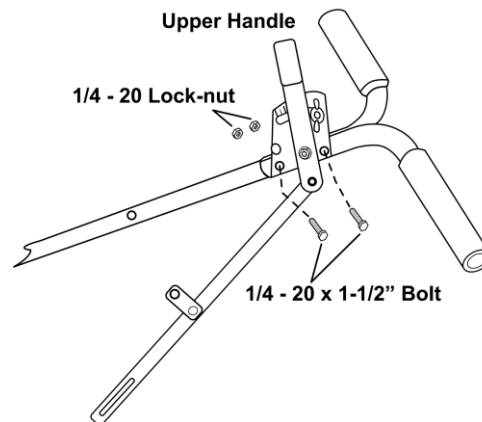
TURN SPREADER UPRIGHT ON TO WHEELS

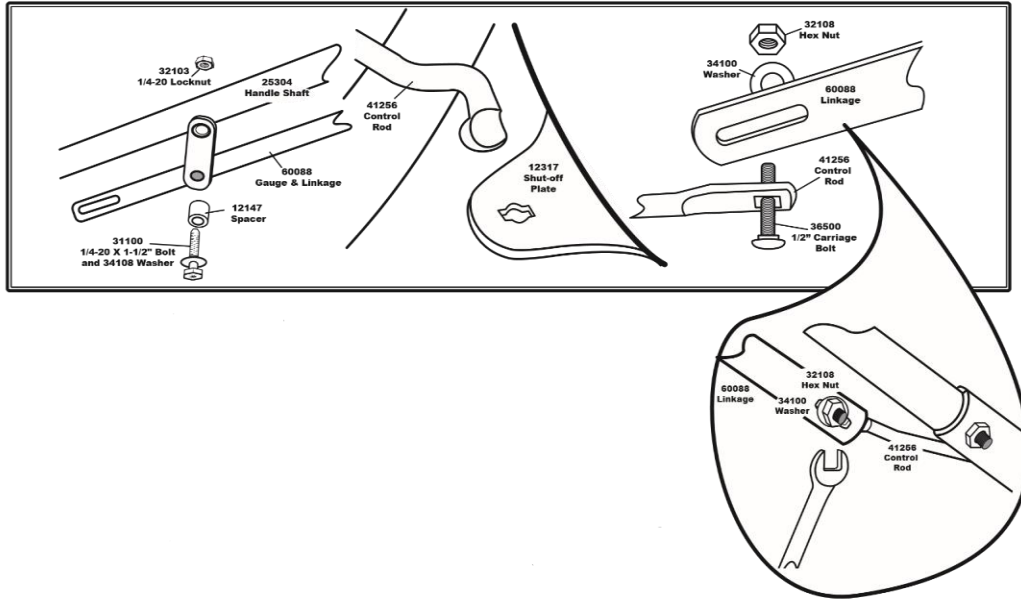
Step 8: Select (2) **1/4 x 1 1/2 inch** bolts and (2) **1/4-20 nylon lock nuts** to complete this step.

Notice that the circular **handle shaft** has two sets of holes in both ends. The holes that are closest to the end of the shaft is the top. Slide the handle shaft inbetween the handles and secure with (2) **1/4-20 bolts** and **nylon lock nuts**.



Step 9: Insert (2) **1/4-20 x 1 1/2 inch** bolts through the **gauge** and **linkage assembly**, then through the **upper handle**, and **handle shaft**. Secure with two **1/4-20 nylon lock nuts**.





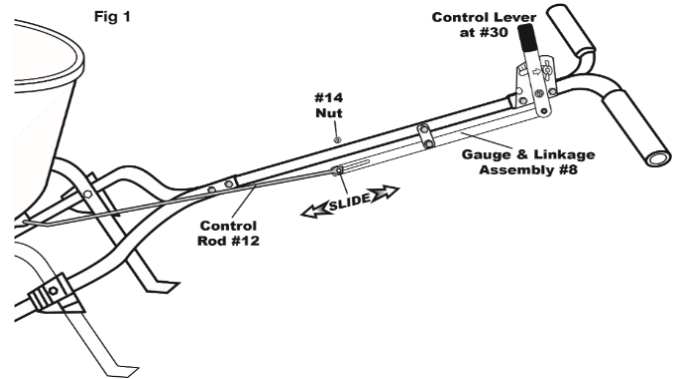
Step 10: Attach the **linkage pivot** with $\frac{1}{4}$ "-20 x $1\frac{1}{2}$ " bolt, MD flat **washer**, black **spacer**, and **lock nut** (shown above).

Step 11: Turn the end of the control rod into the keyed shut-off plate under the hopper.

Step 12: Install the $\frac{1}{2}$ " **carriage bolt** through the **control rod** and install the SM **flat washer** and **hex nut** on the carriage bolt. Allow a loose fit for CALIBRATION instructions below.

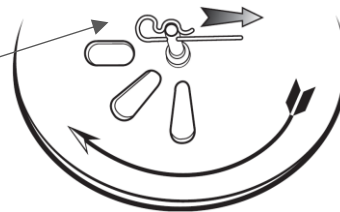
CALIBRATION

Pull the Control Lever back to #30 on the Gauge, then push the shut-off plate forward until the shut-off and the drop holes are fully open. Now tighten the **Hex Nut** on the $\frac{1}{2}$ " **carriage bolt** on the **linkage assembly**. Check to confirm calibration by closing the control lever, then reopening to #30 and confirm that the drop holes are fully open.



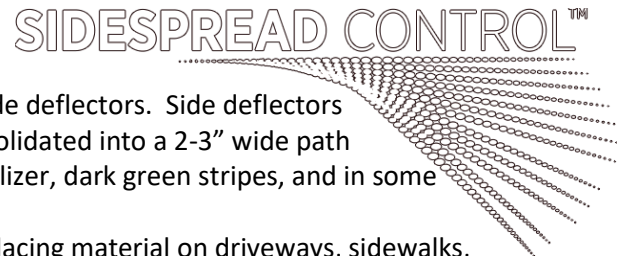
Step 13: Insert agitator to pinion shaft on inside of hopper.

Note: The position of flat side of the agitator. This pin should be installed as shown.



OPERATING INSTRUCTIONS

- ☑ Obtain proper setting for material to be used from the enclosed SETTING MATRIX included with this spreader, or from our web site under the MANUALS SECTION.
- ☑ Set stop bolt on rate gauge assembly to the proper rate setting.
- ☑ While pushing spreader forward, pull control lever back to stop bolt, to stop spreading, push lever forward to close flow holes before you stop moving.
- ☑ When finished, empty any remaining material from hopper, rinse spreader, apply coating of light oil to all metal parts. The gearbox is sealed and lubricated at the factory.



The **SideSpread-Control** is a patented innovation that is superior to side deflectors. Side deflectors block material leaving the impeller. This blocked material is now consolidated into a 2-3" wide path on the left inside wheel of your spreader. This equates to wasted fertilizer, dark green stripes, and in some cases this extra fertilizer (seven times) will damage the lawn.

SideSpread-Control maintains the correct application rate while not placing material on driveways, sidewalks, flowerbeds, or worse, the storm drains in your street. This saves you money and keeps you from damaging your lawn.

To engage **SideSpread-Control**:

- 1) Locate the lever on under the right side of the hopper.
- 2) Slide the control lever from the front to the back.
- 3) Position the left wheel of your spreader 6"-12" from the sidewalk, flowerbed, or driveway and spread as normal.
- 4) When you have completed this spreading pass, close the control lever to "0", and then open the **SideSpread-Control™** by sliding the control lever from back to the front, for a **FULL**, 180 degree spread pattern.

CUSTOMER SERVICE

SUPPORT@EARTHWAY.COM | www.EARTHWAY.com | 1009 Maple Street, Bristol, IN 46507

ONE YEAR WARRANTY

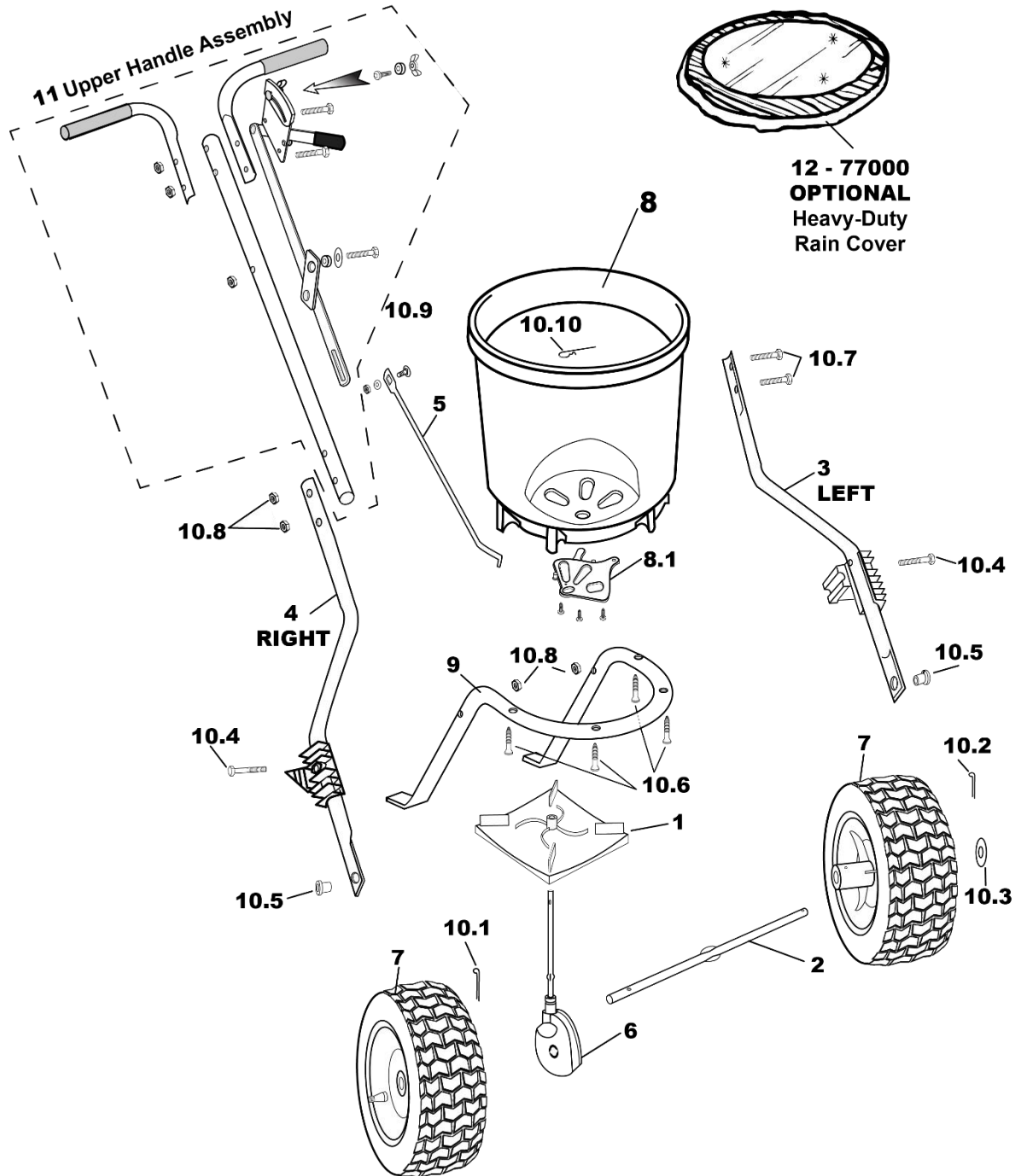
EarthWay Products, Inc. warrants this product free of defects in original workmanship and materials for a period of one year to the end user with the original purchase receipt. If a manufacturing non-conformance is found, EarthWay Products, Inc. at its discretion will repair or replace the part(s)/product at no charge provided the failure is not the result of incorrect installation, mishandling, misuse, tampering, or normal wear and tear as determined by EarthWay.

EarthWay at its discretion may require that the part(s) or product be returned along with the original purchase receipt for examination and compliance with the terms of this warranty. Do not return any product without first receiving authorization from EarthWay Products, Inc.

To seek remedy under this warranty, contact EarthWay Products, Inc. at support@earthway.com or write to EarthWay Products, Inc. 1009 Maple Street, Bristol, IN 46507 and describe the nature of the manufacturing defect. **SPECIFIC LIMITATIONS:** This warranty covers only the part(s) or product; any labor charges associated with repair or replacement of non-conformances are specifically excluded. Due to the corrosive nature of most fertilizers and ice melt products, EarthWay Products, Inc. makes no warranty against and specifically excludes part(s) or product degradation or failure due to corrosion or its effects.

HOW TO ORDER SPARE PARTS – CALL or EMAIL:

TURF DEPOT 800-305-9255 or *earthway@turfdepot.com*



2600A+ - 40 LB Broadcast Spreader Parts List					
SERIES	PART #	DESCRIPTION	SERIES	PART #	DESCRIPTION
1	12248	IMPELLER DISHED	7	70149	9 IN PNEUMATIC WHEEL
2	23519	AXLE	8	60025	HOPPER ASSEMBLY & 12317SCC PLATE
3	25210L	LEFT LOWER HANDLE W/ FRAME	9	25107	FRAME
4	25210R	RIGHT LOWER HANDLE W/ FRAME	10	38049	HARDWARE PKG.
5	41256	CONTROL ROD	11	25413	UPPER HANDLE ASSEMBLY
6	60451	GEAR BOX ASSEMBLY	12	77000	HEAVY DUTY RAIN COVER ACCESSORY